

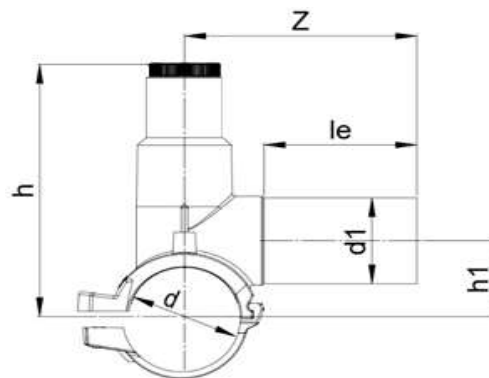
## EF TAPPING SADDLE

04 Update - 05/2024

### TECHNICAL DATA

Article No	001 117 2071 0114
d (mm)	110
d1 (mm)	50
le (mm)	92
h (mm)	200
h1 (mm)	75
Z (mm)	156
L (mm)	140
Weight (Kg)	0,800
Box Quantity (pcs)	10
Box Dimension (cm)	55x30x37,5

### INJECTION MOULDED



### IDENTIFICATION OF PRODUCT

D(mm)	110-50
SDR	11
RAW MATERIAL	PE 100
PRESSURE CLASS	16 Bar Water 10 Bar Gas
TRADEMARK	NTG
EXECUTION	Injection Moulded
STANDARD	EN 12201-3 EN 1555-3 AS / NZS 4129

### EF SPECIFICATION

WELDING VOLTAGE	40 V
RESISTANCE	7,0 Ω
WELDING TIME	140 Sec.
COOLING TIME	15 Min.
WINDING TYPE	Monofilar

### WELDING BARCODE



941420322523407005140116

### SPECIFICATION

Suitable for SDR11....17 pipe  
 Injected monobloc type  
 4 mm pin connectors  
 Long Fusion outlet  
 Hexagon wrench 17 mm  
 O-ring sealed screw cap

Tolerance on diameters and thickness according to the standards. The other dimensions are specialized. Tolerance  $\pm 5\%$ . NTG PLASTIK reserves all the right to change any information without giving prior notice. The production, distribution and utilization of this document without explicit authorization is prohibited.